

DESCRIPTION

The IQ651S is an intelligent Smoke Detector used with the IQ651B/IQ651BL Detector Base, is a UL listed device according to UL 268 for Fire Protective signalling Systems for indoor use. It features a slim design that combines visual appeal with a high standard of reliability. It responds quickly and dependably to a broad range of fires. The detector has a Micro controller Unit (MCU), performing comprehensive self-diagnostic tests and result analysis. The IQ651S is intelligent, addressable, and takes one address on the signalling Line Circuit (SLC) of the fire alarm control panel.

⚠ ATTENTION

Products must be installed per the National Fire Alarm Code, NFPA 72, and/or National Electrical Code, depending on the country of the installation. Check the information on equipment used in the system from other manufacturers for instructions and restrictions. The detector should never be installed in the following places: where there is a lot of exhaust gas, kitchens, near fireplaces, boilers, etc. Smoke detectors should not be used with detector guards unless the suit has been evaluated and approved for this case.

NOTE

Do not paint this unit. Any material extrapolated from this document or Fireguard's instructions or other materials describing the product for promotional or advertising purposes, or any other purpose, including the description of the application, the use, installation, and testing of the product is the sole responsibility of the user. Fireguard assumes no responsibility for the use. In no event shall Fireguard's liability exceed the purchase price of the product.

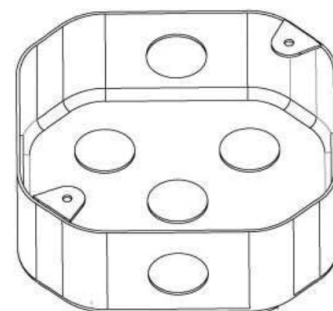
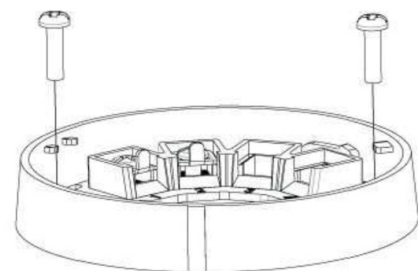
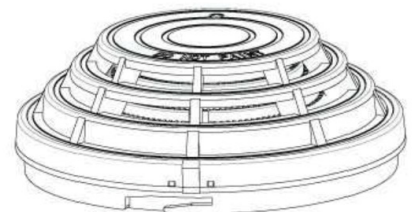
SPECIFICATION

Nominal Voltage	24VDC
Voltage Range	15 to 28VDC
Standby Current	0.14mA
Alarm Current	1mA
Smoke Sensitivity	1.6%/ft to 2.3%/ft
Operating Temperature	32°F to 100°F (0°C to 38°C)
Operating Humidity	0% to 93% RH
Diameter	4.13 in. (105mm)
Height (with base)	1.87 in. (47.5mm)
Weight (with base)	4.6 oz (132g)
Mounting	IQ651BL Base
Mounting Orientation	Ceiling, wall
Spacing	30 feet (9.1)
Ingress protection rating	IP-43

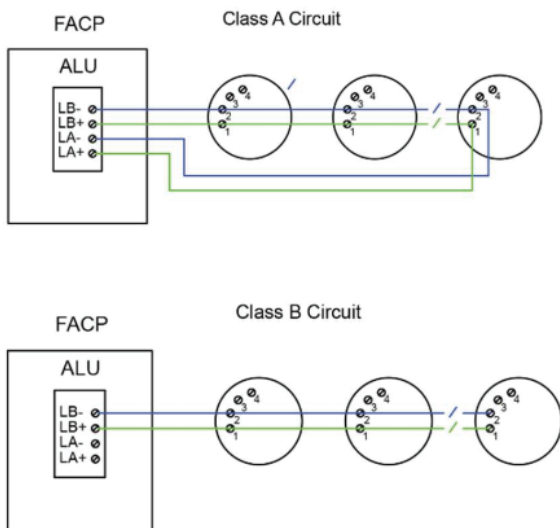
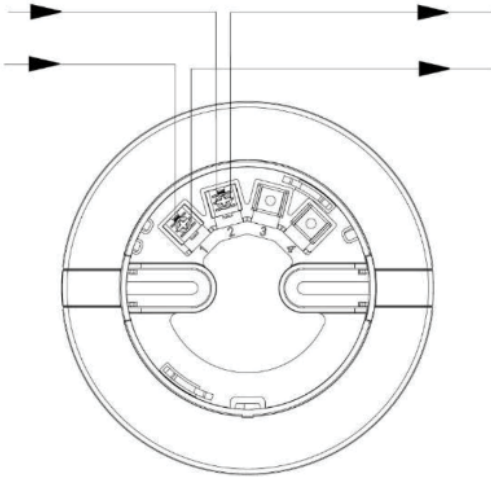


INSTALLATION

Mount the IQ651B base onto a 2x4" electrical box, see Figure 1. The installation hole pitch illustrated



Smoke detector IQ651B/IQ651BL can be used with 12 AWG to 18 AWG.



CATALOG NUMBER TO ORDER

Model	Description
IQ651S	Photoelectric smoke detector
IQ651B	Smoke detector base 4.13 in. (105mm)
IQ651BL	Smoke detector base 5.91 in. (150mm)
STI-8100	Cover Non-ULC for smoke detector
STI-8130	Lexan Surface cover for smoke detector
STI-9601	Wire guard white low profile
STI-9604	Wire guard white
STI-9706	Wire guard white